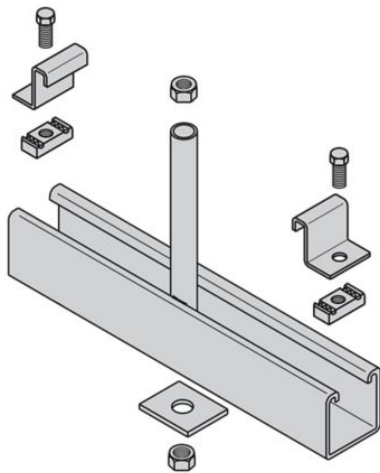


Eaton SB2127S20FB

Catalog Number: SB2127S20FB

Eaton B-Line series runway support, Used to support cable runways, Welded steel construction, Cable runway center hung supports, A570 structural steel, Finish flat black powder coat



General specifications

Product Name	Catalog Number
Eaton B-Line series runway support	SB2127S20FB
UPC	Product Length/Depth
799038321576	1.625 in
Product Height	Product Width
7.625 in	23 in
Product Weight	Certifications
4.3 lb	UL Listed

Product specifications

Special features

Welded steel construction

Type

Cable runway center hung supports

Material details

Flat black powder coat A570 steel

Application

Used to support cable runways

Resources

Brochures

[Redi-Rail runway brochure](#)

Catalogs

[Cable runway and accessories section of datacomm catalog](#)

Specifications and datasheets

[Eaton Specification Sheet - SB2127S20FB](#)



Eaton Corporation plc
Eaton House
30 Pembroke Road
Dublin 4, Ireland
Eaton.com
© 2023 Eaton. All Rights Reserved.

Eaton is a registered trademark.

All other trademarks are property of their respective owners.



[Eaton.com/socialmedia](https://www.eaton.com/socialmedia)